

Illustration - Type - E

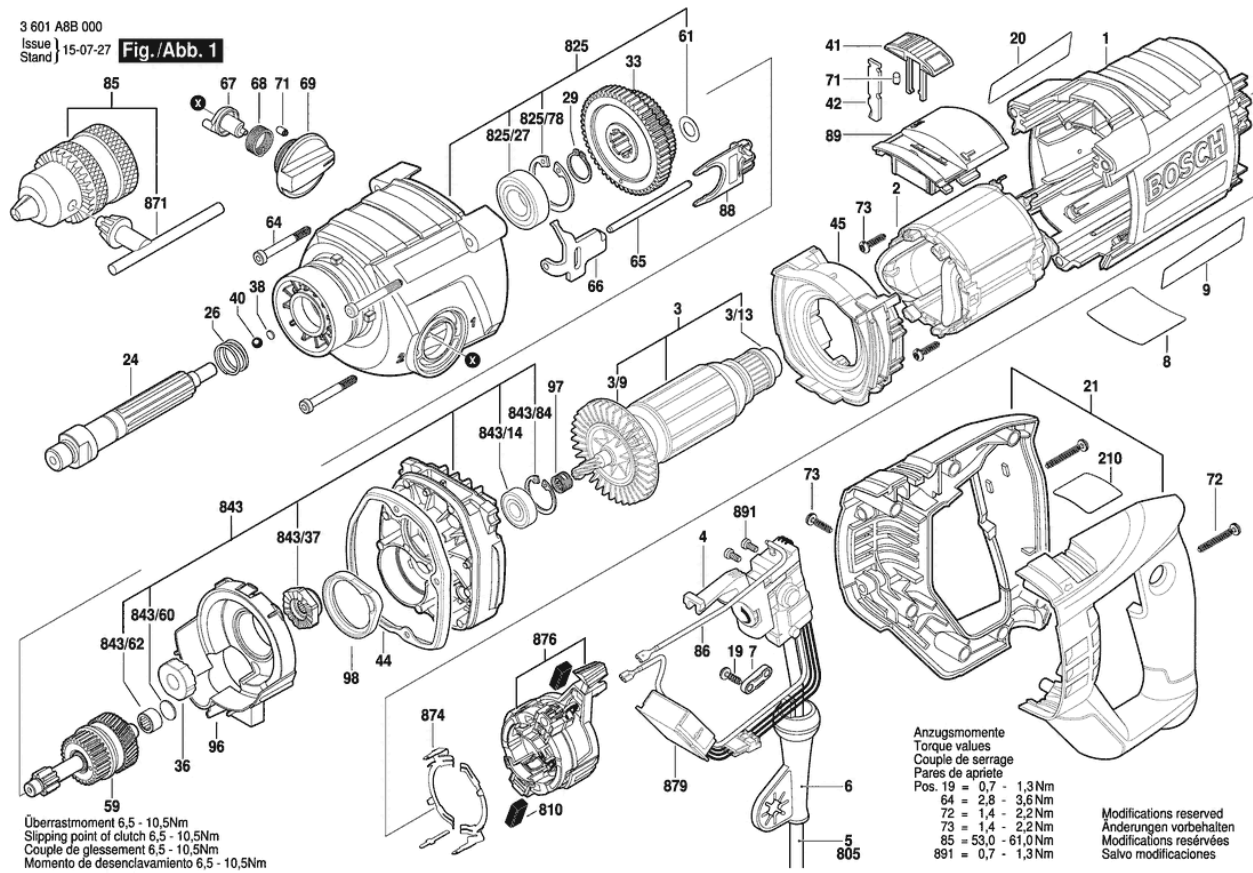
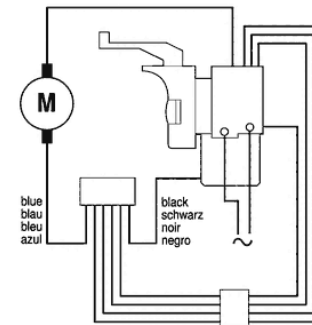
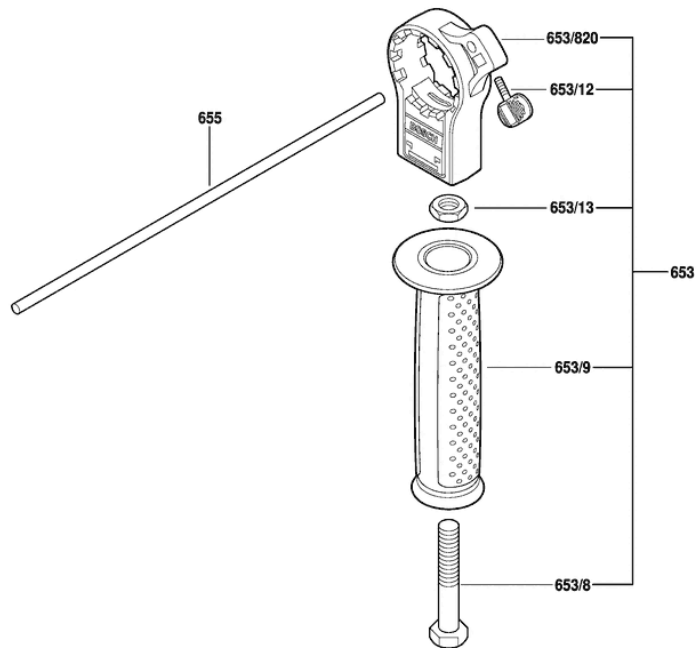


Illustration - Type - E

3 601 A8B 000
 Issue | 11-11-11
 Stand | **Fig./Abb. 2**



Anzugsmomente
 Torque values
 Couple de serrage
 Pares de apriete

Pos. 19	= 0,7 - 1,3 Nm
64	= 2,8 - 3,6 Nm
72	= 1,4 - 2,2 Nm
73	= 1,4 - 2,2 Nm
85	= 53,0 - 61,0 Nm
891	= 0,7 - 1,3 Nm

Modifications reserved
 Änderungen vorbehalten
 Modifications réservées
 Salvo modificaciones

Spare parts list

Item	Part Number	Description	Illustration
1	2 605 105 138	Motor Housing	1
2	1 619 P08 345	Field 230V	1
3	1 600 A00 4L1	Armature assembly 220-240V	1
3/13	2 600 905 032	Ball Bearing 7X19X6	1
3/9	2 606 610 137	Fan	1
4	2 607 200 675	Switch	1
6	2 600 707 072	Grommet	1
7	2 601 035 004	Cable Clip	1
8	2 601 115 612	Nameplate	1
9	2 601 111 402	Manufacturer's nameplate GSB 162-2 RE	1
19	2 603 490 021	Torx Oval-Head Screw 4X12	1
20	2 601 115 617	Reference Plate	1
21	2 602 025 178	Handle	1
24	2 606 135 143	Drilling Spindle	1
26	2 604 616 002	Compression Spring	1
29	2 916 650 008	Spring retaining ring DIN 471 17X1 MM	1
33	2 606 317 097	Cylindrical Gear	1
36	2 600 190 105	Catch Disk	1
38	2 600 000 021	Shim washer 1,0 MM	1
38	2 600 000 045	Shim washer	1
38	2 600 000 046	Shim washer	1
40	1 903 230 010	Ball DIN 5401-5,5MM-III-ST	1
41	2 602 319 030	Slide Switch	1
42	2 601 074 009	Pressure Plate	1
44	2 601 015 104	Seal	1
45	2 600 148 015	Air-Deflector Ring	1
59	2 606 308 044	Transmission	1
61	2 600 100 712	Shim	1
64	2 603 435 085	Headless Screw	1
65	2 603 105 132	Straight Pin	1
66	2 601 099 226	Adjusting Slide	1
67	2 602 033 021	Link Guide	1
68	2 604 651 026	Coiled Spring	1
69	2 602 026 172	Rotary Knob	1

Spare parts list

Item	Part Number	Description	Illustration
71	2 600 590 006	Ratchet Cap	1
72	2 603 490 025	Torx Oval-Head Screw 4X30	1
73	2 603 490 022	Screw 4X16	1
85	1 608 571 083	Key Chuck Ø3-16MM,5/8"	1
86	2 604 448 328	Connecting Cable	1
88	2 601 328 086	Holding Plate	1
89	2 605 510 276	Bulb Shield	1
96	1 600 A00 L17	Sealing Cover	1
97	2 605 808 138	Seal Ring	1
98	2 601 015 114	Seal	1
210	2 601 112 190	Reference Plate	1
805	1 607 000 386	Power supply cord EU 230V 4,15M 2 X 1,0MM H05 RN-F	1
810	2 604 321 947	Carbon-Brush Set	1
825	2 605 806 879	Gear Housing	1
825/27	1 900 905 163	groove ball bearing 17X35X10	1
825/78	2 916 660 014	Spring retaining ring DIN 472 35X1,5 MM	1
843	2 605 807 945	Bearing Bracket	1
843/14	2 600 905 095	Ball Bearing 9X24X7	1
843/37	2 600 190 121	Catch Disk	1
843/60	2 600 000 042	Shim washer	1
843/62	2 600 917 023	Needle bearing	1
843/84	2 916 660 008	Spring retaining ring DIN 472-24X1,2 MM	1
871	2 607 950 007	Chuck Wrench SG2	1
874	2 601 324 072	Switch Contact	1
876	2 604 337 912	Brush Plate	1
879	2 607 230 906	Rpm Actuator	1
891	2 603 429 010	Cross Recessed-Head Screw	1
653	2 602 025 188	Auxiliary Handle	2
653/12	2 603 481 021	Wing Screw	2
653/13	2 915 051 140	Hex Nut	2
653/8	2 911 061 971	Hex Screw	2
653/820	2 602 025 905	Support clamp	2
653/9	2 602 025 189	Handle	2

Spare parts list

Item	Part Number	Description	Illustration	Price	Quantity	Price Group
655	2 600 460 045	Depth-Gauge	2		1	17